



PRICES VALID TO 29th FEBRUARY 2012

# DRAPER

## YOUR SINGLE SOURCE SOLUTION FOR

# LADDERS

**NEW  
RANGE**



**2 & 3 TREAD  
STEEL STEP LADDERS**



**6, 9 & 12 TREAD  
COMBINATION LADDERS**



**MULTI-PURPOSE  
LADDER**



**3, 5 & 7 TREAD  
ALUMINIUM  
STEP LADDERS**



**COMBINATION  
LADDER & PLATFORM**

Welcome to our **NEW** range of Ladders.

- We are certainly not the first company to offer ladders but we believe the quality and value of this range is second to none.
- Many of these ladders have features and benefits that set them apart from existing models on the market, which can be more expensive for less features.
- Most importantly when it comes to health and safety, peace of mind comes from the fact that all our ladders are manufactured in accordance with EN131/EN14183 standards and are fully guaranteed.
- Please refer to the HSE publications 'Work at Height 2005' regulations and 'Work at Height (amendment) 2007' regulations (UK only) when using ladders/platforms in the workplace, before using any of these ladders.



**LADDERS**  
 Manufactured in  
 accordance with  
 EN131/EN14183

**LOOK OUT  
 FOR  
 DAVE SAYS**



## 2 & 3 TREAD STEEL STEP LADDERS

### 2 TREAD STEEL STEP LADDER

Stock No. 04678

Part No. SSL2

Manufactured in accordance with EN14183

High strength steel construction with two anti-slip treads and soft grip safety rail. 150kg capacity.

Specification:

Maximum load	... 150kg
Platform size	... 380 x 260mm
Ground to platform height	... 480mm (approx.)
Spread	... 550mm (approx.)

**EX. VAT**  
 List Price  
 £24.98

**\*TSP**  
 £21.50

**INC. VAT**  
 List Price  
 £29.98

**\*TSP**  
 £25.80



All measurements shown are approximate.



### 3 TREAD STEEL STEP LADDER

Stock No. 04679

Part No. SSL3

Manufactured in accordance with EN14183

High strength steel construction with three anti-slip treads and soft grip safety rail. 150kg capacity.

Specification:

Maximum load	... 150kg
Platform size	... 380 x 260mm
Ground to platform height	... 720mm (approx.)
Spread	... 680mm (approx.)

**EX. VAT**  
 List Price  
 £34.98

**\*TSP**  
 £32.95

**INC. VAT**  
 List Price  
 £41.98

**\*TSP**  
 £39.54



All measurements shown are approximate.



# 3, 5 & 7 TREAD ALUMINIUM STEP LADDERS

Manufactured in accordance with EN131 these Expert Quality step ladders are manufactured from high strength aluminium. They have an integral safety rail and slip resistant feet for extra stability.

## 3 TREAD ALUMINIUM STEP LADDER

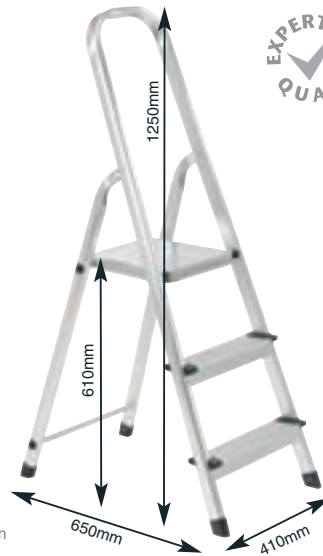
**Stock No. 04623**  
**Part No. SL3**

Manufactured in accordance with EN131  
**Expert Quality**, high strength aluminium construction with integral safety rail and slip-resistant feet for extra stability.

Specification:  
Maximum load EN131 ... 150kg  
Platform size ... 260 x 270mm  
Tread width ... 410mm  
Ground to platform height ... 610mm (approx.)  
Spread ... 650mm (approx.)  
Weight ... 3.5kg

**EX. VAT**  
**List Price**  
**£39.98**  
**\*TSP**  
**£36.95**

**INC. VAT**  
**List Price**  
**£47.98**  
**\*TSP**  
**£44.34**



All measurements shown are approximate.



## 5 TREAD ALUMINIUM STEP LADDER

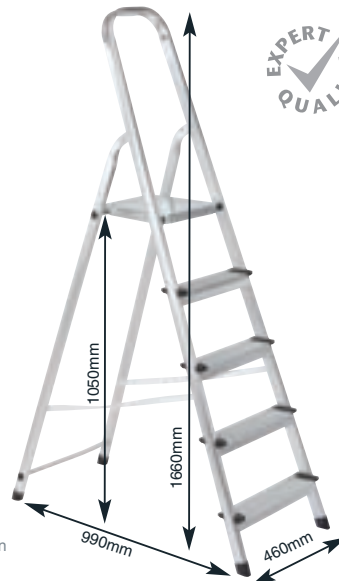
**Stock No. 04624**  
**Part No. SL5**

Manufactured in accordance with EN131  
**Expert Quality**, high strength aluminium construction with integral safety rail and slip-resistant feet for extra stability.

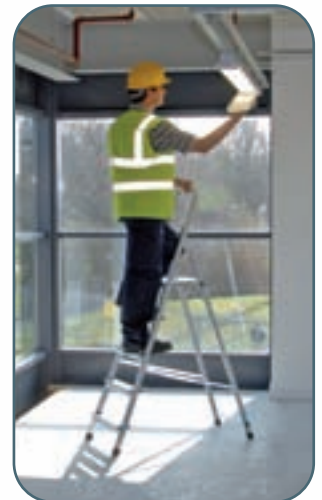
Specification:  
Maximum load EN131 ... 150kg  
Platform size ... 260 x 270mm  
Tread width ... 460mm  
Ground to platform height ... 1050mm (approx.)  
Spread ... 990mm (approx.)  
Weight ... 4.7kg

**EX. VAT**  
**List Price**  
**£59.98**  
**\*TSP**  
**£56.98**

**INC. VAT**  
**List Price**  
**£71.98**  
**\*TSP**  
**£68.38**



All measurements shown are approximate.



## 7 TREAD ALUMINIUM STEP LADDER

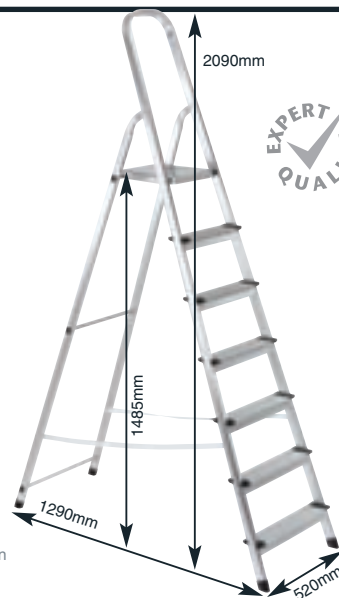
**Stock No. 04625**  
**Part No. SL7**

Manufactured in accordance with EN131  
**Expert Quality**, high strength aluminium construction with integral safety rail and slip-resistant feet for extra stability.

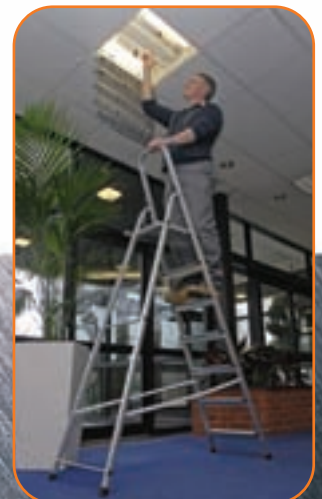
Specification:  
Maximum load EN131 ... 150kg  
Platform size ... 260 x 270mm  
Tread width ... 520mm  
Ground to platform height ... 1485mm (approx.)  
Spread ... 1290mm (approx.)  
Weight ... 7.4kg

**EX. VAT**  
**List Price**  
**£79.98**  
**\*TSP**  
**£69.98**

**INC. VAT**  
**List Price**  
**£95.98**  
**\*TSP**  
**£83.98**



All measurements shown are approximate.



\* Typical Selling Price - may vary in-store.

# 6, 9 & 12 TREAD COMBINATION LADDERS

- Manufactured in accordance with EN131, these Expert Quality versatile combination ladders are manufactured from high quality aluminium and are ideal for tradesmen.
- These 'combination' ladders can be used in 4 positions (see opposite) - 'A' Frame, 'A' Frame Extension, Straight Extension and a single ladder.
- These combination ladders have the following features - not all ladders do!



Slip resistant feet stabilises position while working



Roller guide wheels for easier ladder extension

Folds down to a convenient carrying length and for storage in the workplace



Picture shows Draper 9 Tread Combination Ladder - Stock No. 04681

## COMBINATION 9 TREAD LADDER

Stock No. 04681  
Part No. CL9

Manufactured in accordance with EN131 **Expert Quality**, versatile high quality aluminium ladder that can be used in four positions: straight extension; 'A' frame, 'A' frame with extension and a single ladder. Slip-resistant feet on the ladder stabilises position whilst working. Roller guide wheels for easy ladder extension.

Specifications:

General:	
Base width	... 900mm
Maximum load EN131	... 150kg
Positions:	
<b>'A' Frame:</b>	
Height	... 2320mm
Spread	... 1680mm
<b>'A' Frame with Extension:</b>	
Height	... 3900mm (max.)
Spread	... 1680mm
<b>Straight Ladder:</b>	
Height	... 5440mm (max.)
<b>Single Ladder:</b>	
Height	... 2450mm

## COMBINATION 12 TREAD LADDER

Stock No. 04683  
Part No. CL12

Manufactured in accordance with EN131 **Expert Quality**, versatile high quality aluminium ladder that can be used in four positions: straight extension; 'A' frame, 'A' frame with extension and a single ladder. Slip-resistant feet on the ladder stabilises position whilst working. Roller guide wheels for easy ladder extension.

Specifications:

General:	
Base width	... 1010mm
Maximum load EN131	... 150kg
Positions:	
<b>'A' Frame:</b>	
Height	... 3090mm
Spread	... 2200mm
<b>'A' Frame with Extension:</b>	
Height	... 5140mm (max.)
Spread	... 2200mm
<b>Straight Ladder:</b>	
Height	... 7300mm (max.)
<b>Single Ladder:</b>	
Height	... 3270mm

# COMBINATION 6 TREAD LADDER

Stock No. 04675

Part No. CL6

Manufactured in accordance with EN131  
**Expert Quality**, versatile high quality aluminium ladder that can be used in four positions: straight extension; 'A' frame, 'A' frame with extension and a single ladder. Slip-resistant feet on the ladder stabilises position whilst working. Roller guide wheels for easy ladder extension.

**Specifications:**

**General:**

Base width ... 730mm  
 Maximum load EN131 ... 150kg

**Positions:**

**'A' Frame:**

Height ... 1570mm  
 Spread ... 1170mm

**'A' Frame with Extension:**

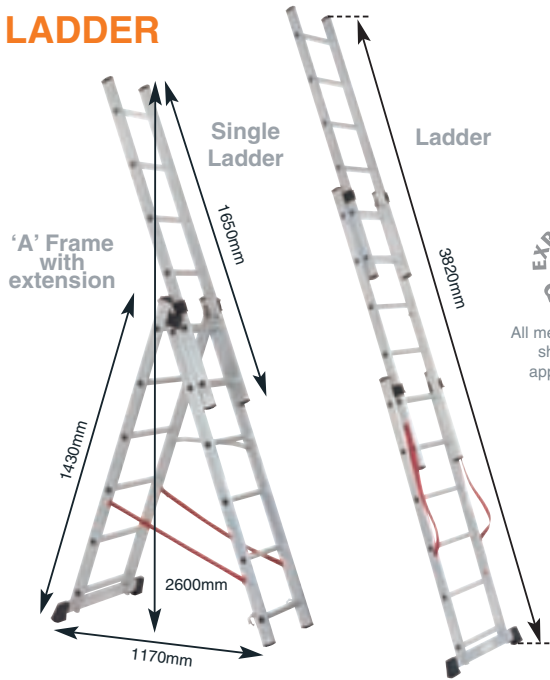
Height ... 2600mm (max.)  
 Spread ... 1170mm

**Straight Ladder:**

Height ... 3820mm (max.)

**Single Ladder:**

Height ... 1650mm

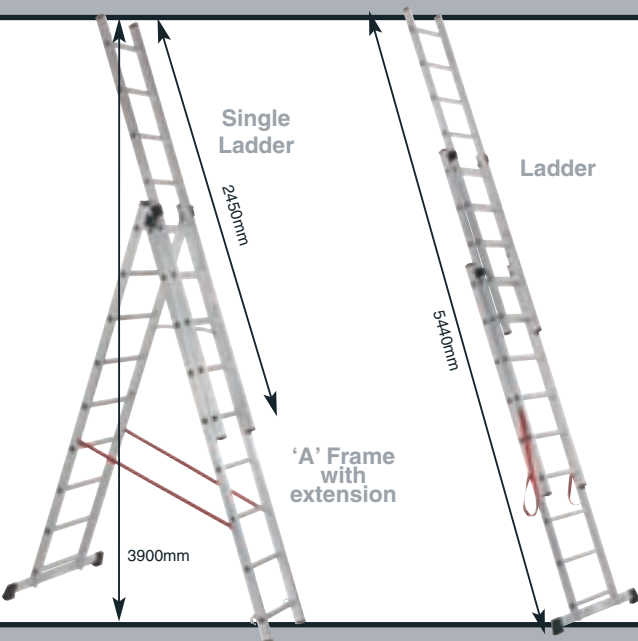
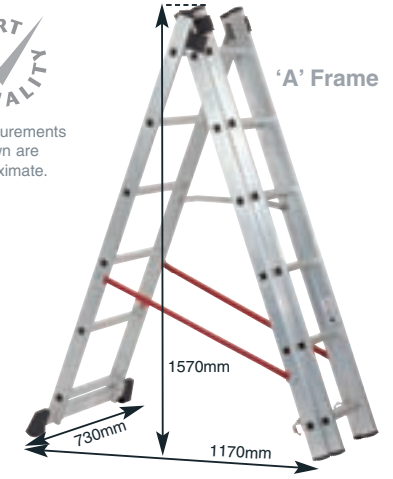


EX. VAT  
 List Price  
 £110.00  
 \*TSP  
**£99.99**

INC. VAT  
 List Price  
 £132.00  
 \*TSP  
**£119.99**



All measurements shown are approximate.

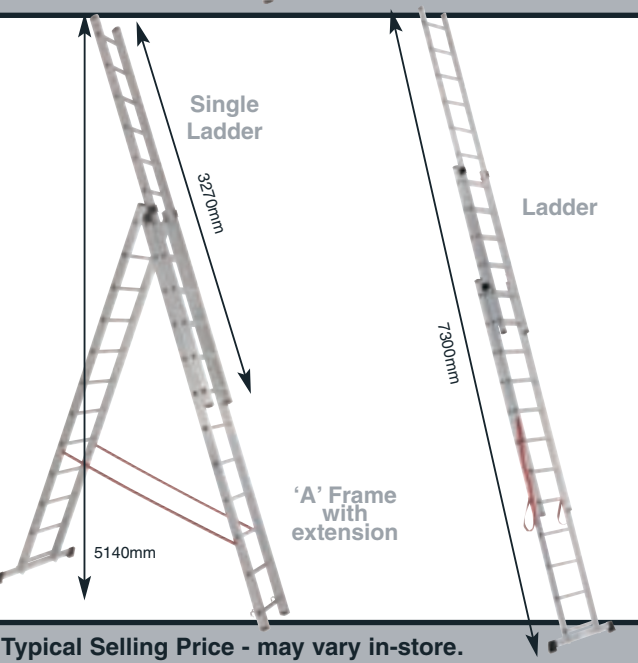


EX. VAT  
 List Price  
 £149.99  
 \*TSP  
**£129.99**

INC. VAT  
 List Price  
 £179.99  
 \*TSP  
**£155.99**



All measurements shown are approximate.



EX. VAT  
 List Price  
 £239.99  
 \*TSP  
**£219.99**

INC. VAT  
 List Price  
 £287.99  
 \*TSP  
**£263.99**



All measurements shown are approximate.



\* Typical Selling Price - may vary in-store.

# MULTI-PURPOSE LADDER

**Stock No. 04685**

**Part No. MFL3**

**Manufactured in accordance with EN131**

**Expert Quality**, versatile aluminium ladder/platform with high quality steel lever locking hinges that can be used in three positions: straight (also as standoff); 'A' frame and work platform. Complete with two-piece stippled steel platform which fits onto treads when in work platform configuration. Auto locking hinges keeps ladder stable. Slip-resistant wide base feet on the ladder stabilises position whilst working.

Specifications:

General:

Maximum load EN131 ... 150kg

Positions:

**'A' Frame:**

Height ... 1650mm

Spread ... 1050mm

**Work Platform:**

Platform size ... 1380 x 300mm

Platform height ... 890mm

Spread ... 2300mm

**Straight Ladder:**

Length ... 3360mm

With standoff ... 2490mm

Standoff length ... 890mm

**EX. VAT**  
**List Price**  
**£99.98**

**\*TSP**  
**£94.95**

**INC. VAT**  
**List Price**  
**£119.98**

**\*TSP**  
**£113.94**



**CAN BE USED IN THREE POSITIONS:  
STRAIGHT (WITH STANDOFF), 'A' FRAME AND WORK PLATFORM**

**Platform**



**'A' Frame**

**Ladder**  
Overall length fully extended 3360mm



All measurements shown are approximate.

**SUPPLIED COMPLETE WITH STEEL PLATFORM PLATES**

**FOLDS DOWN TO COMPACT EASY-TO-CARRY SIZE**



# COMBINATION LADDER & PLATFORM

**Stock No. 04660**

**Part No. CLP**

Manufactured in accordance with EN131

**Expert Quality**, versatile high quality aluminium ladder that can be used in three positions: straight; 'A' frame and work platform with safety barrier. Non-slip one-piece plywood platform supplied fits between two ladder sections when in work platform mode. Slip-resistant feet on the ladder stabilises position desired whilst working.

Specifications:

General:

Maximum load EN131 ... 150kg

Positions:

**'A' Frame:**

Height ... 1600mm

Spread ... 1030mm

**Work Platform:**

Platform height ... 1000mm (max.)

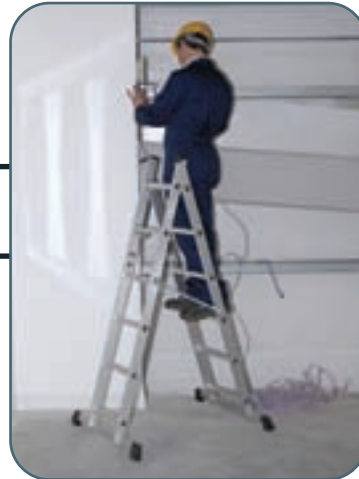
Overall width ... 1580mm

**Extension Ladder:**

Length ... 2730mm

**EX. VAT**  
List Price  
£139.98  
\*TSP  
**£128.98**

**INC. VAT**  
List Price  
£167.98  
\*TSP  
**£154.78**



**CAN BE USED  
IN THREE  
POSITIONS:  
STRAIGHT,  
'A' FRAME AND  
WORK  
PLATFORM**



All measurements shown are approximate.

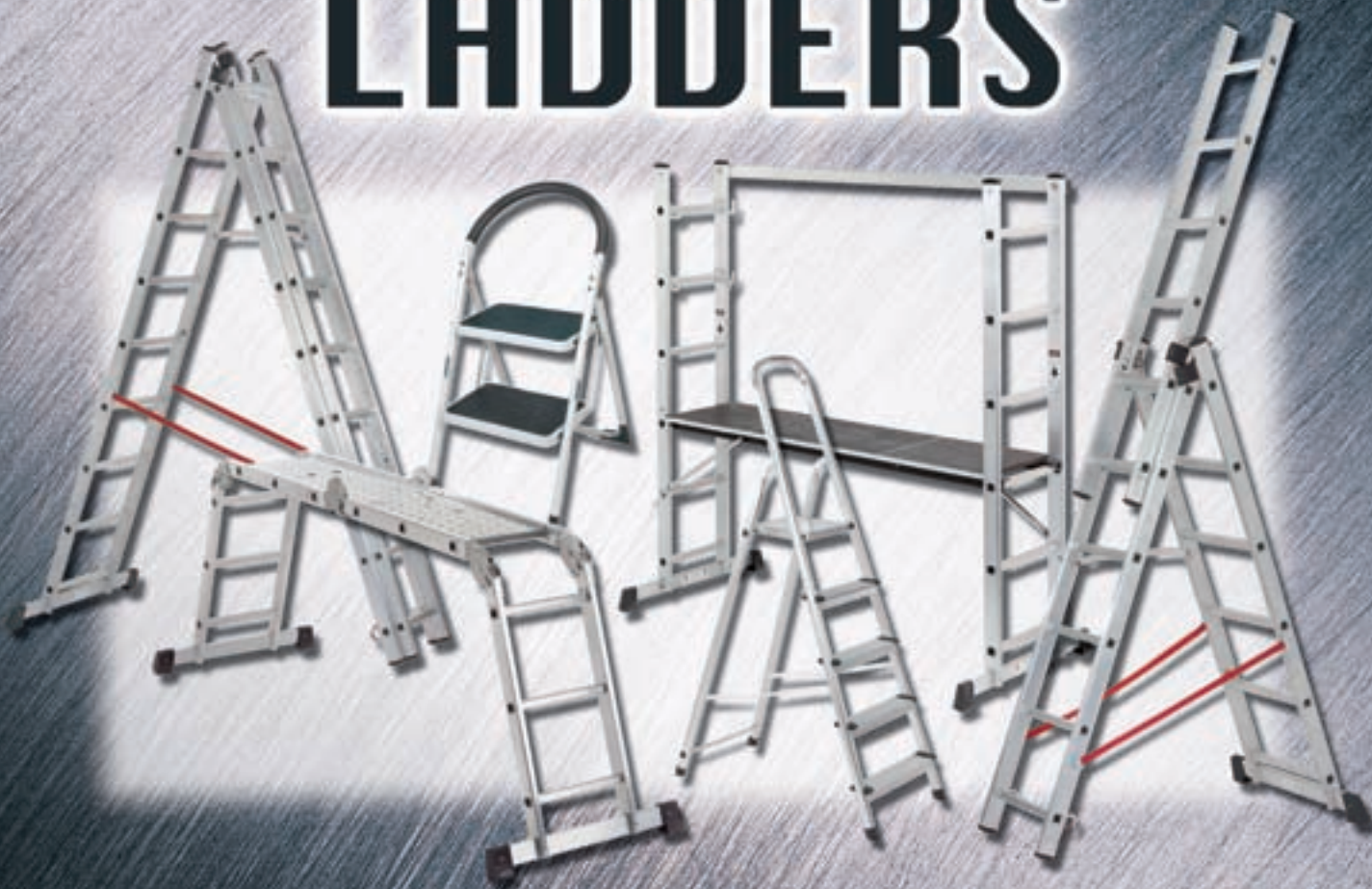


\* Typical Selling Price - may vary in-store.



**YOUR SINGLE SOURCE SOLUTION FOR**

# **LADDERS**



available from the following approved Draper Stockist:

If no company name appears above, please visit the Draper website [www.draper.co.uk](http://www.draper.co.uk) to see the full range and for stockist details, or telephone +44 (0)23 8049 4333 for stockist details only.

Prices shown are typical and may vary in store. VAT calculated at the current rate at time of going to press. E. & O. E.  
Prices correct at time of going to press and are valid until 29th February 2012.  
These prices may not apply to our internet site. Draper Tools Ltd. reserves the right to change prices without prior notice.  
Excludes any other offers and discount arrangements.

All photographs are as a guide only and do not necessarily represent the products on offer.  
Some products are photographed as if in use. These 'supporting' items are not included for sale unless otherwise stated.

Draper Tools Ltd., Hursley Road, Chandler's Ford, Eastleigh, Hampshire, SO53 1YF U.K.  
Stock No. 70408 Ref: LADDRET UK 10/11